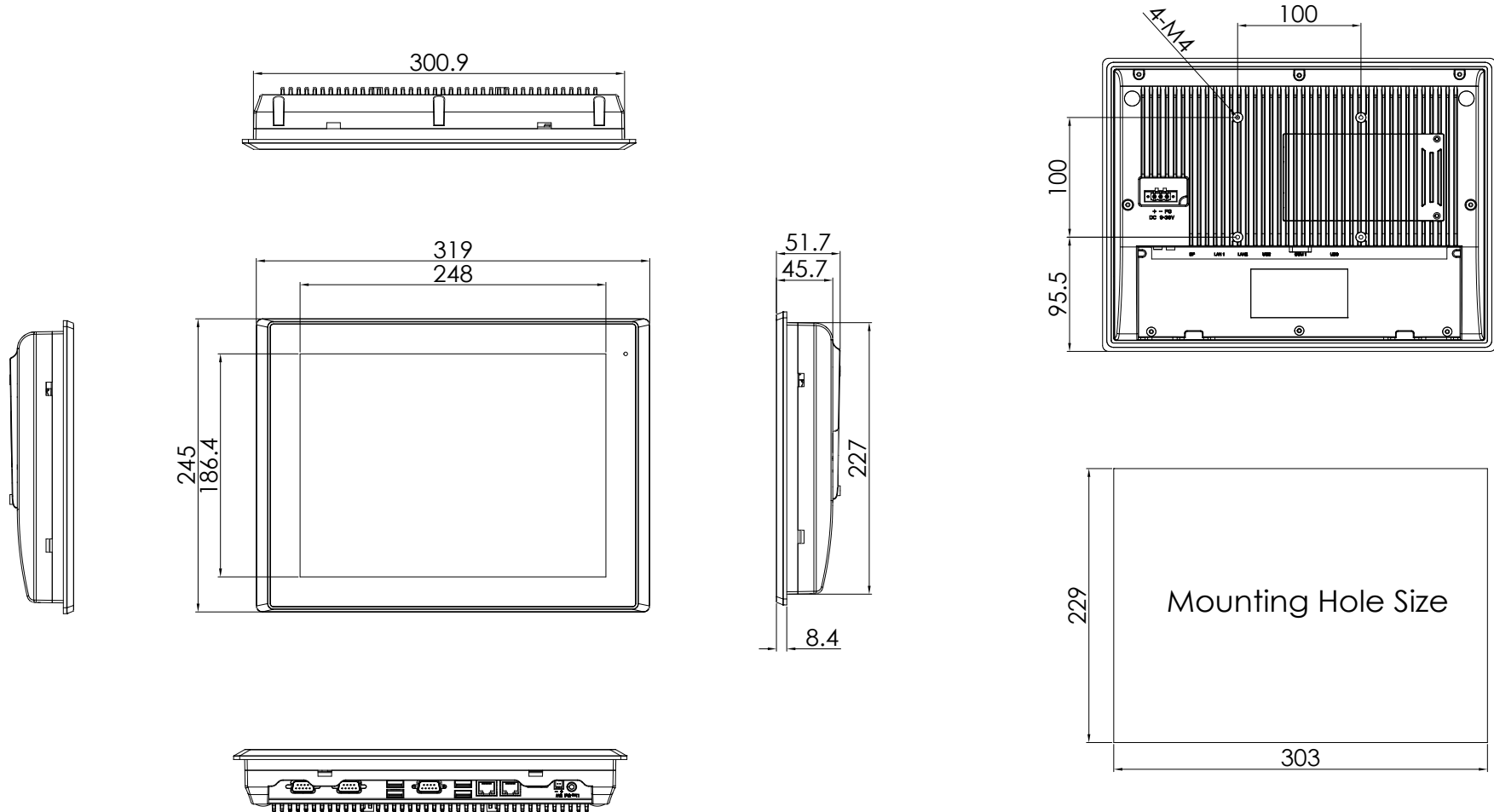


# hematec SMART-HMI-6412 12.1 (P) Dimensions

Unit: mm  
Tolerance: +/- 0.5  
Rev: 1.0  
Date: Dec/28th 2023



UNIT: mm  
Tolerance:±0.5